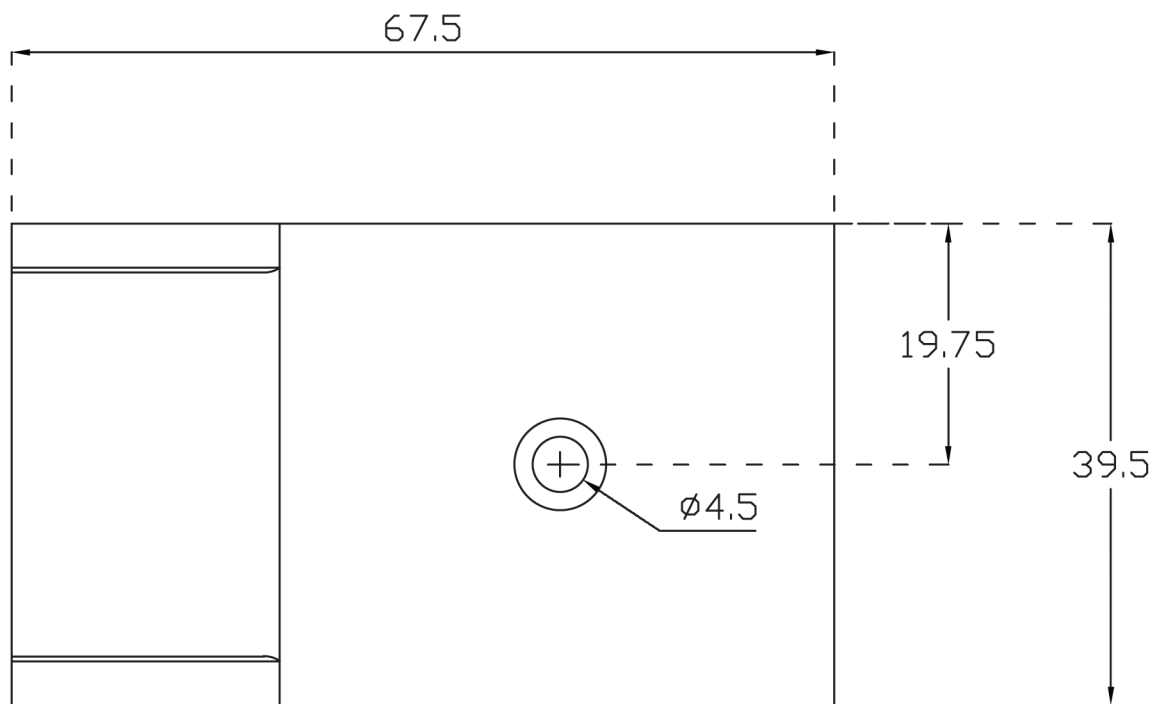


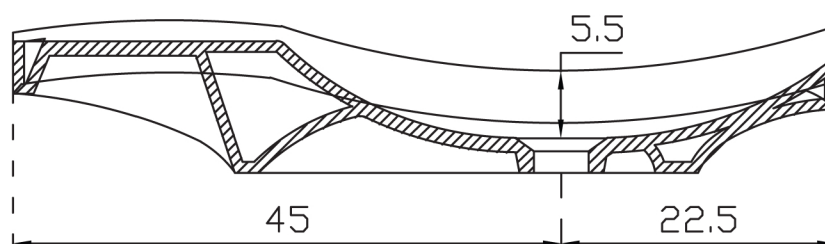
Technical Drawing

NILE

OVER COUNTER BASIN



Plan View



Sectional View