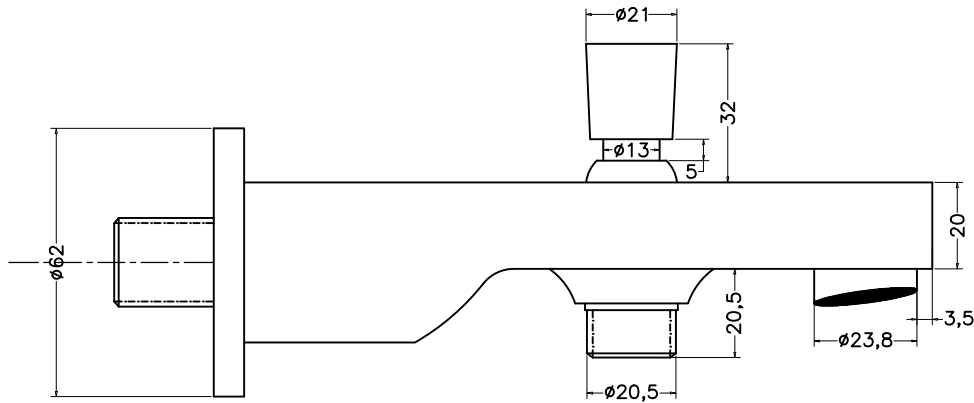
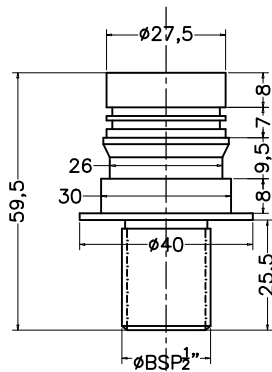


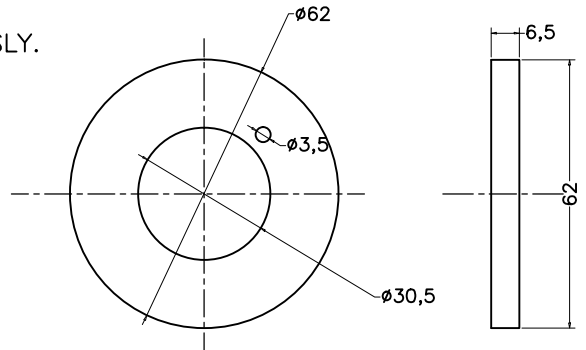
MAIN BODY ASSLY.



MAIN BODY ASSLY.



NIPPLE



FLANGE

S.NO	QTY.	DISCRIPTION	MATERIAL	WEIGHT
01	01	MAIN BODY	BRASS	Grams
02	01	FLANGE	BRASS	Grams
03	01	NIPPLE	BRASS	Grams

ALL DIMENSIONS ARE IN MM		<p align="center">HSIL LIMITED BAHADURGARH TRADING DIVISION DELHI -ROHTAK ROAD, BAHADURGARH</p> <p>TITLE : AL BANO FINISHED DRAWING DESCRIPTION: TUB SPOUT WITH DIVERTER (G1/2MALE)</p>			PRODUCT CAT. NO.:	Q153126120
SCALE :	NTS				DRAWING NO.:	Q710170
SHEET SIZE:	A4				PRODUCT RAW MATERIAL:	BRASS
		UPDATED ON:	11.06.2014			
		PRODUCT APPROVED WEIGHT WITH ACCESSORIES:				
REVISION NO.	REASON FOR CHANGE	REVISION DATE	DRAWN BY	CHECKED BY	VERIFIED BY	APPROVED BY
			ENGINEER	ENGINEER	MANAGER	AGM

This Drawing remain the property of HSIL Ltd.TTD.If must not,even in part,be reproduced or may available to un Athorised person without express concerned of HSIL Ltd. TTD and may be used only for agreed purposed