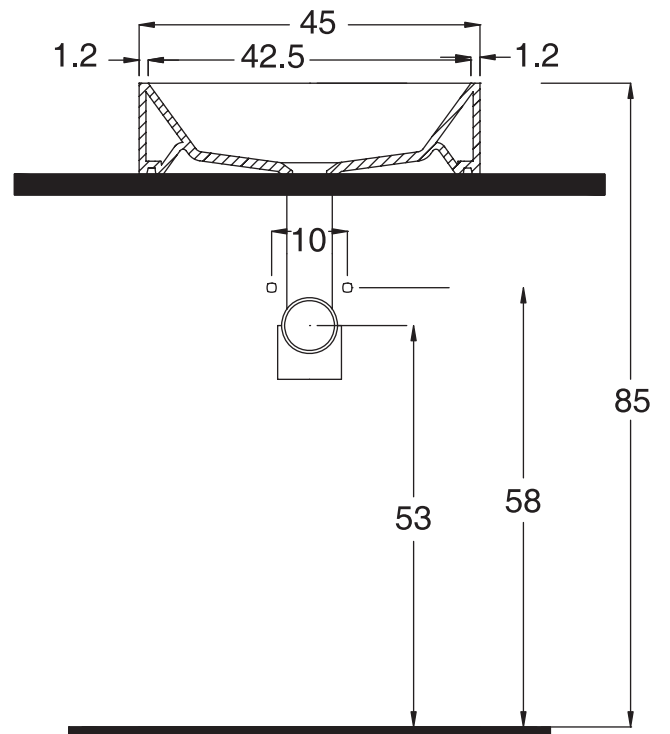
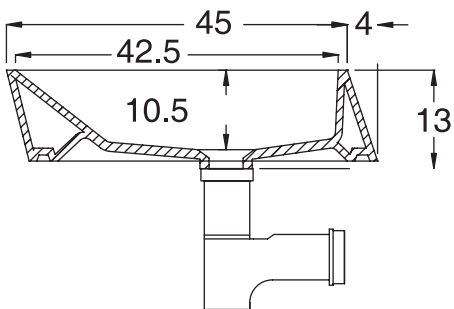
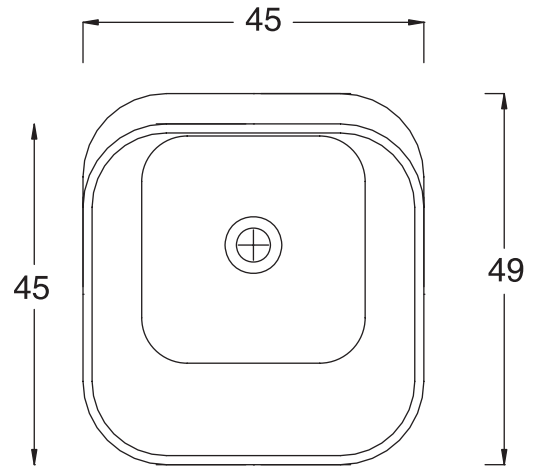




Unit : cm



F-50	
Catalogue No.	: Q657140110
Item Description	: Over the counter basin
Size	: L X W X H 45 X 49 X 13 cm
Unit	: cm

Products subject to technical modifications & design deviations  
Specification subject to change without prior notice