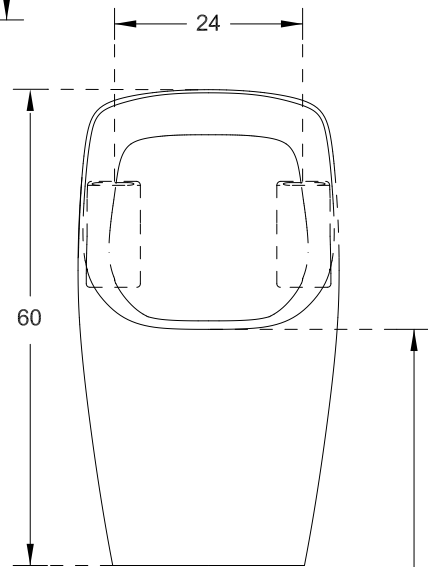
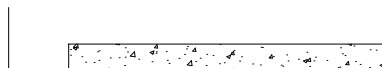


PLAN VIEW



65
(RECOMMENDED HEIGHT
FOR ADULTS)

FLOOR



FRONT ELEVATION

HSIL LIMITED, BAHADURGARH	
CATALOGUE No.: 60017	
ITEM DESCRIPTION: AQUA FREE WATER LESS WONDER URINAL (33 x 31.5 x 60 cm)	
DRAWN:	UNIT: CM
CHECKED:	SCALE: 1:10
APPROVED:	DRG. No. : URN/010 REV. No. : 3
DATE: 07.04.2011	