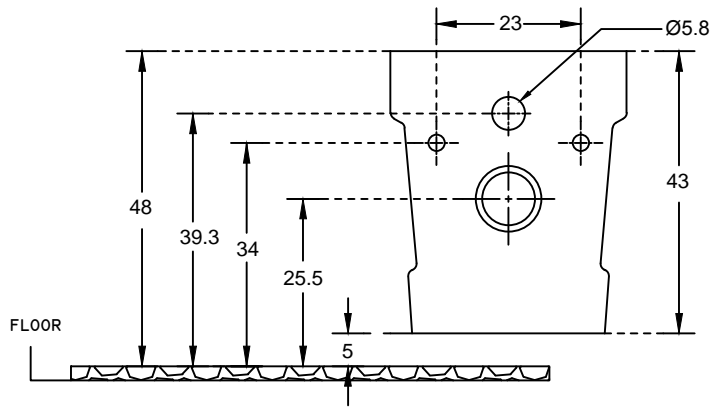


PLAN VIEW



BACK VIEW

		<b>HSIL LIMITED, BAHADURGARH</b>	
CATALOGUE No.: 92067		ITEM DESCRIPTION: EWC W/M WAVE (36 X 54 X 43 CM)	
DRAWN:		UNIT: CM	
CHECKED:		SCALE: 1:10	
APPROVED:		DRG. No.: WC/109 Rev. No.: 0	
DATE: 17.03.2009			