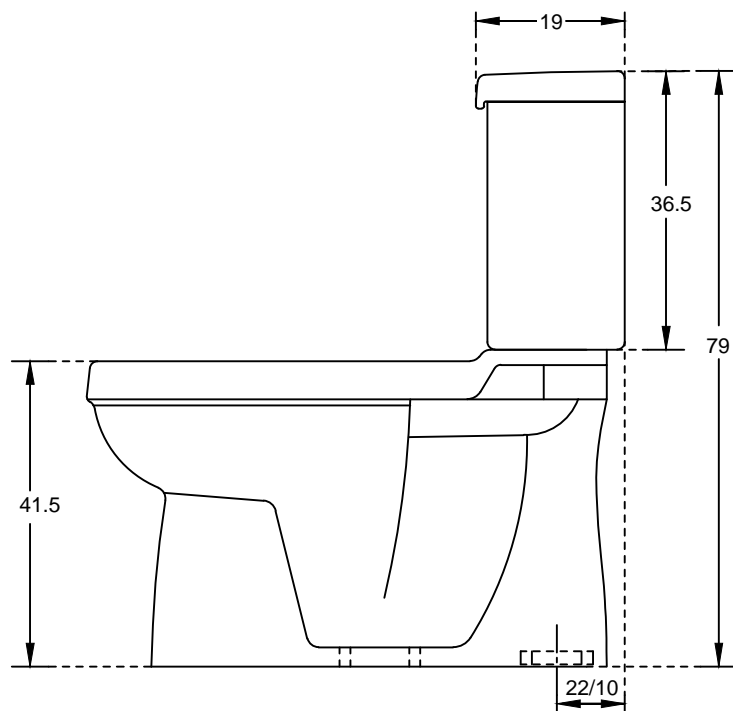



PLAN VIEW



SIDE VIEW

		HSIL LIMITED, BAHADURGARH	
CATALOGUE No.: 92026 & 92073 / 92126		ITEM DESCRIPTION: EWC CLIPPER 220 & 100 WITH CISTERN (72x41x79)	
DRAWN:		UNIT: CM	
CHECKED:		SCALE: 1:10	
APPROVED:		DRG. No.: WC/068 REV. No.: 0	
DATE: 27.11.2009			