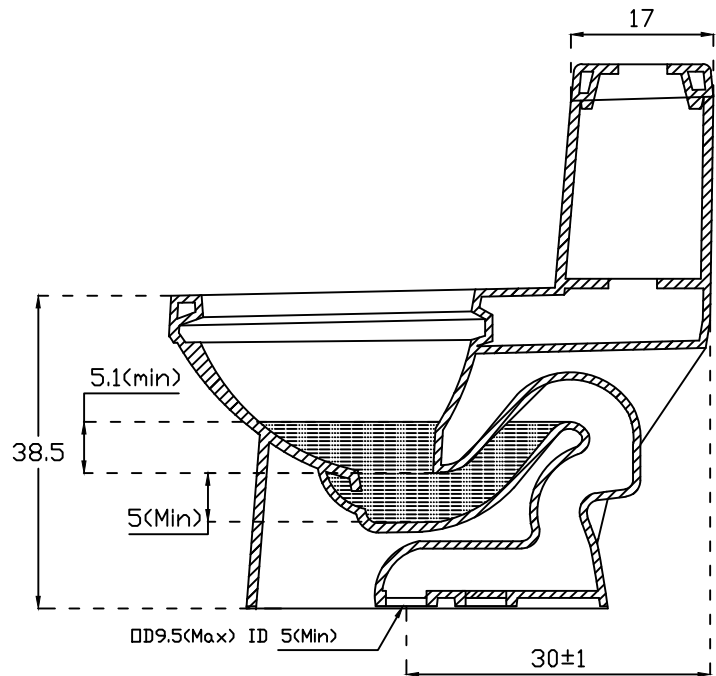
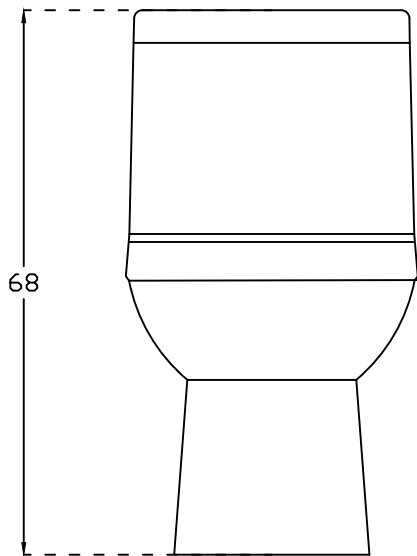


PLAN VIEW



SECTIONAL VIEW



FRONT ELEVATION

NOTE: UNLESS OTHERWISE SPECIFIED
ALL DIMENSIONS ARE IN CENTIMETERS

MATERIAL - CERAMIC VITREOUS CHINA

hindware ITALIAN COLLECTION		HSIL LIMITED, BAHADURGARH	
CATALOGUE NO: 92503		EWC one piece Alpine 'S' 30cm (68 x 37 x 68 cm)	
DRAWN:		UNIT:CM	
CHECKED:		SCALE:1:10	
APPROVED		DRAWING NO:WC/167S30	
DATE:25.08.15		REV:ND:1	