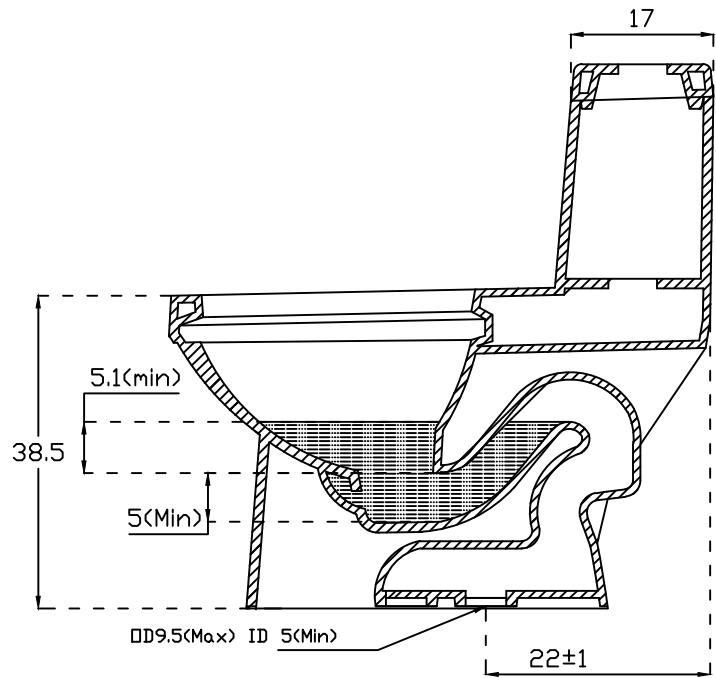
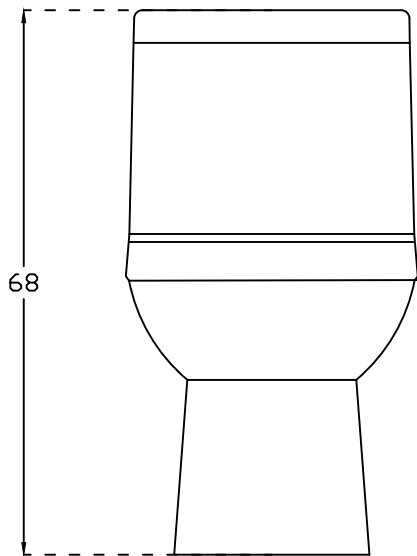


PLAN VIEW



SECTIONAL VIEW



FRONT ELEVATION

NOTE: UNLESS OTHERWISE SPECIFIED
ALL DIMENSIONS ARE IN CENTIMETERS

MATERIAL - CERAMIC VITREOUS CHINA

| | | | |
|---------------------------------------|--|--|--|
| hindware ITALIAN COLLECTION | | HSIL LIMITED, BAHADURGARH | |
| CATALOGUE NO: 92504 | | EWC one piece Alpine 'S' 22cm (68 x 37 x 68 cm) | |
| DRAWN: | | UNIT:CM | |
| CHECKED: | | SCALE:1:10 | |
| APPROVED | | DRAWING:NDWC/167S22 | |
| DATE:25.08.15 | | REV:ND:1 | |