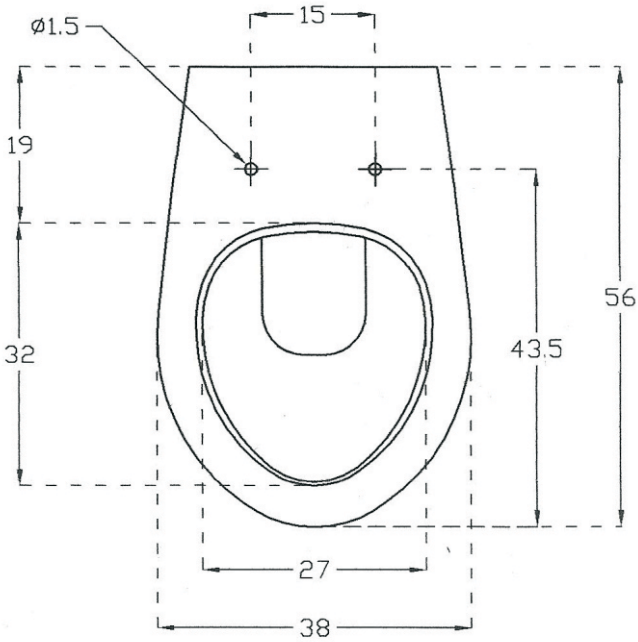
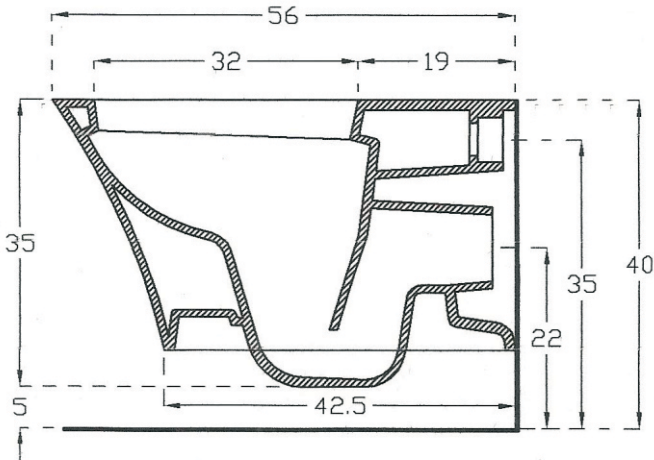




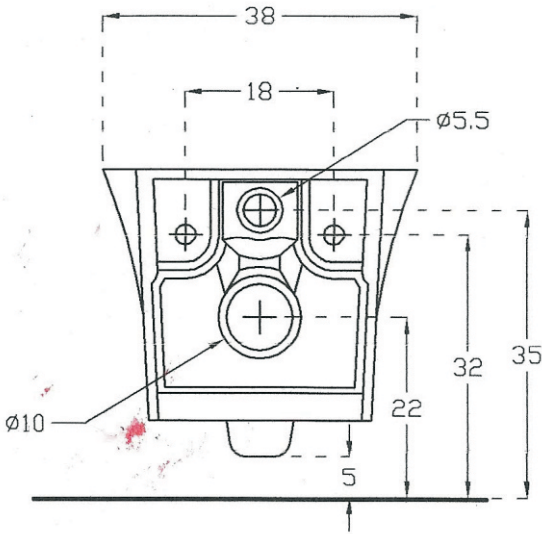
Unit : cm



PLAN VIEW



SECTIONAL VIEW



BACK VIEW

ENZO	
Catalogue No.	: Q167240110
Item Description	: EWC W/H
Size	: L X W X H
	: 56 X 38 X 35 cm
Unit	: cm

Products subject to technical modifications & design deviations
Specification subject to change without prior notice