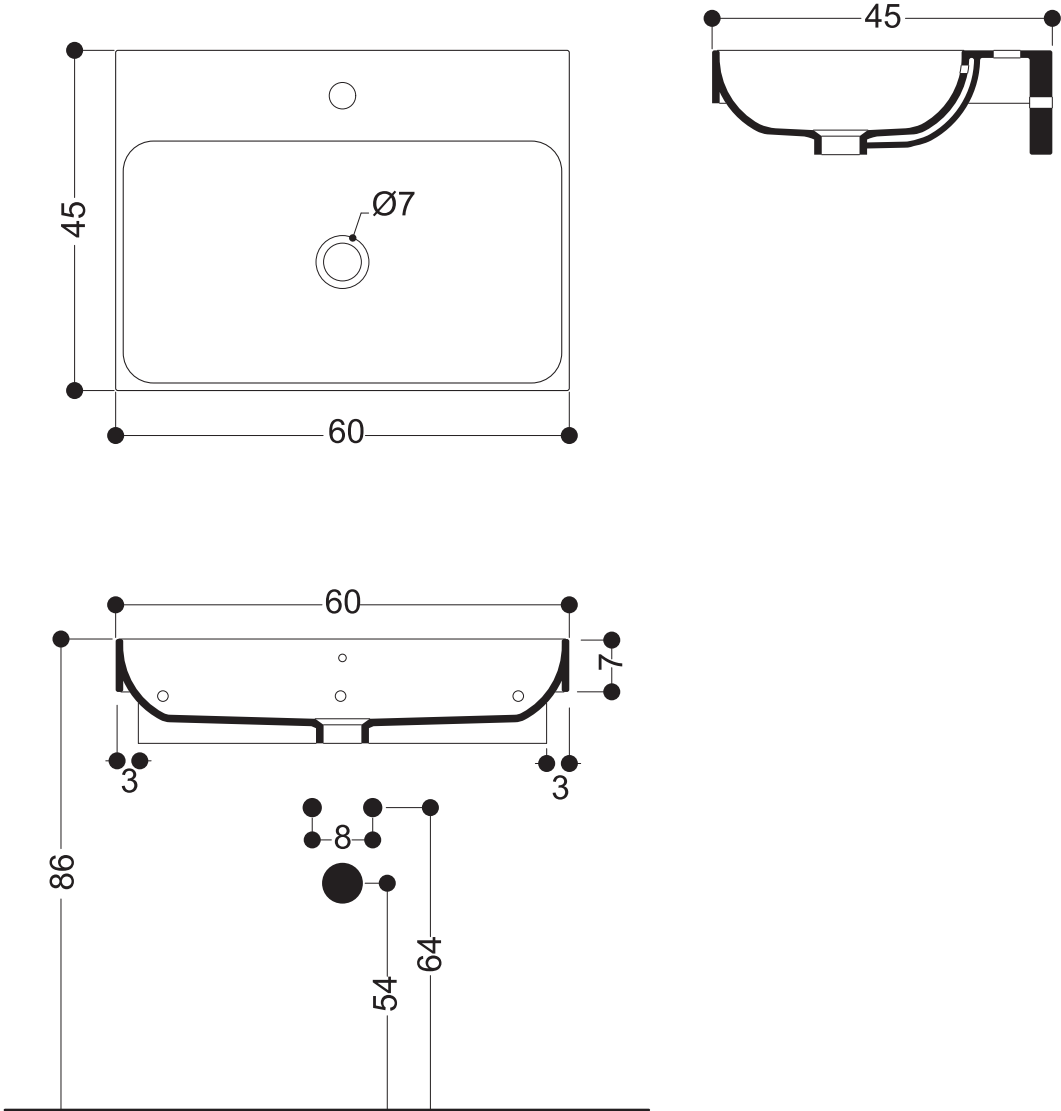




Unit : cm



F NOVELLA

Catalogue No. : Q857140210

Item Description : Over The Counter Basin
With Tap Hole

Size : L X W
60 X 45 cm

Unit : cm

Products subject to technical modifications & design deviations
Specification subject to change without prior notice