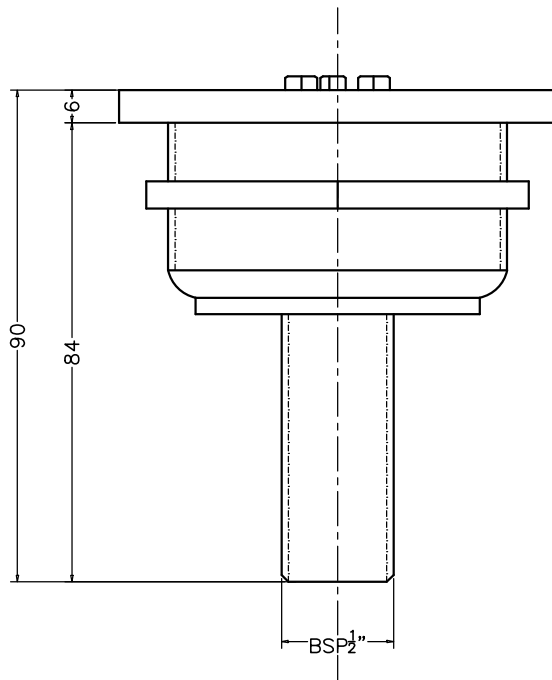


MAIN BODY



ALL DIMENSIONS ARE IN MM		<p style="text-align: center;"> <b>HSIL LIMITED</b>          BAHADURGARH TRADING DIVISION          DELHI -ROHTAK ROAD, BAHADURGARH       </p> <p style="text-align: center;"> <b>TITLE: QUEO FINISHED DRAWING</b>  <b>DESCRIPTION: ROUND BODY JET ADJ.</b> </p>			PRODUCT CAT. NO.:	Q503151820
SCALE :	NTS				DRAWING NO.:	Q710137
SHEET SIZE:	A4				PRODUCT RAW MATERIAL:	BRASS
		UPDATED ON:	28.08.2014	PRODUCT APPROVED WEIGHT		
		WITH ACCESSORIES:				
REVISION NO.	REASON FOR CHANGE	REVISION DATE	DRAWN BY	CHECKED BY	VERIFIED BY	APPROVED BY
			ENGINEER	ENGINEER	MANAGER	AGM

This Drawing remain the property of HSIL Ltd.TTD.If must not,even in part,be reproduced or may available to un Aathorised person without express concerned of HSIL Ltd. TTD and may be used only for agreed purposed