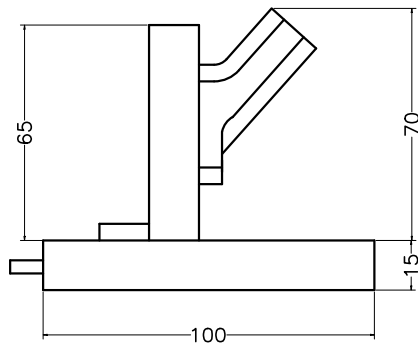


MAIN BODY



ALL DIMENSIONS ARE IN MM		<p style="text-align: center;">HSIL LIMITED          BAHADURGARH TRADING DIVISION          DELHI -ROHTAK ROAD, BAHADURGARH</p> <p style="text-align: center;">TITLE: QUEO FINISHED DRAWING          DESCRIPTION: WALL WATERFALL</p>				PRODUCT CAT. NO.:	Q503142320
SCALE :	NTS					DRAWING NO.:	Q710118
SHEET SIZE:	A4					PRODUCT RAW MATERIAL:	BRASS
		UPDATED ON:	01.09.2014	PRODUCT APPROVED WEIGHT			
		WITH ACCESSORIES:					
REVISION NO.	REASON FOR CHANGE	REVISION DATE	DRAWN BY	CHECKED BY	VERIFIED BY	APPROVED BY	
			ENGINEER	ENGINEER	MANAGER	AGM	

This Drawing remain the property of HSIL Ltd.TTD.If must not,even in part,be reproduced or may available to un Athorised person without express concerned of HSIL Ltd. TTD and may be used only for agreed purposed