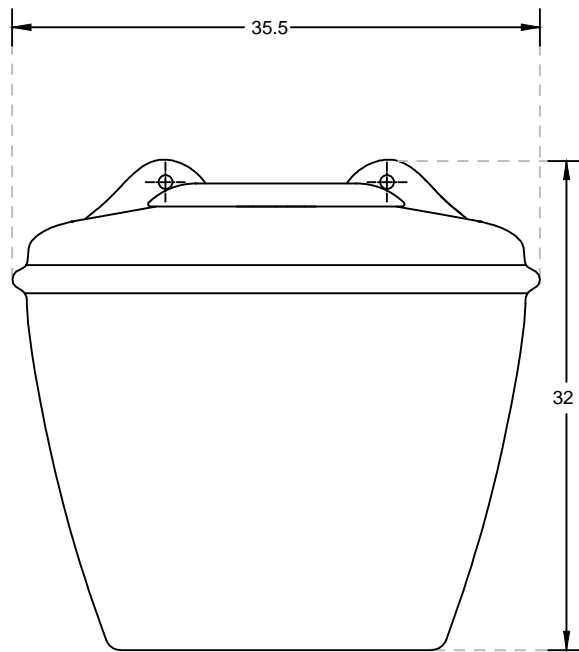


PLAN VIEW



FRONT ELEVATION

hindware

HSIL LIMITED,
BAHADURGARH

CATALOGUE No.: 61002
ITEM DESCRIPTION: AUTO CISTERN (32 X 35.5 X 24CM)

DRAWN:	UNIT: CM
CHECKED:	SCALE: 1:5

APPROVED:	DRG. No.: CIS/013
	Rev. No.: 0

DATE: 08.03.2001