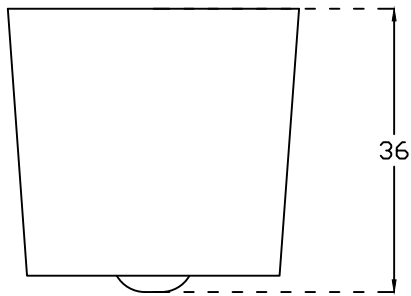
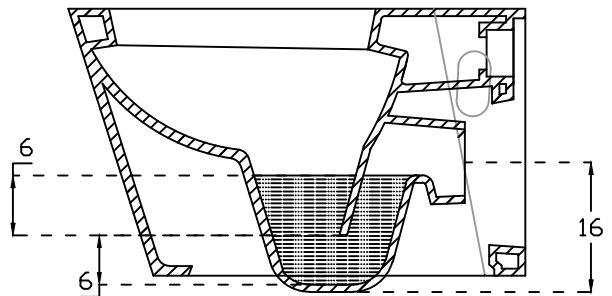


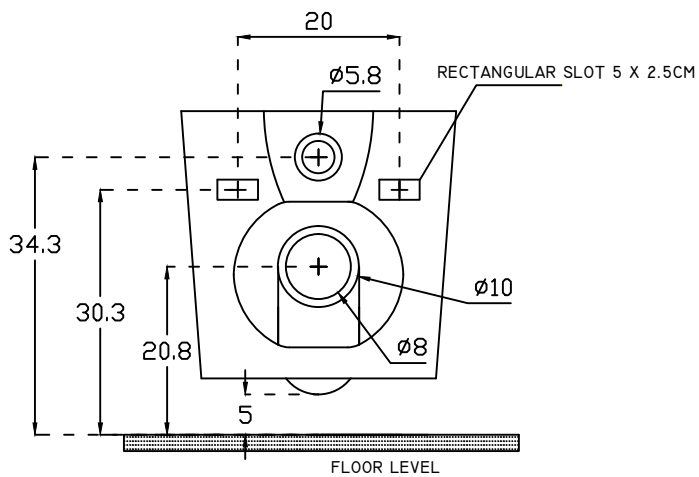
PLAN VIEW



FRONT ELEVATION



SECTIONAL VIEW



BACK VIEW

hardware ITALIAN COLLECTION		HSIL LIMITED, BAHADURGARH	
CATALOGUE NO: 92092 ITEM DESCRIPTION: EWC WM TWILIGHT (57X36X36CM)			
DRAWN:		UNIT:CM	
CHECKED:		SCALE:1:10	
APPROVED		DRAWING NO:WC/169	
DATE:25.08.15		REV:ND1	