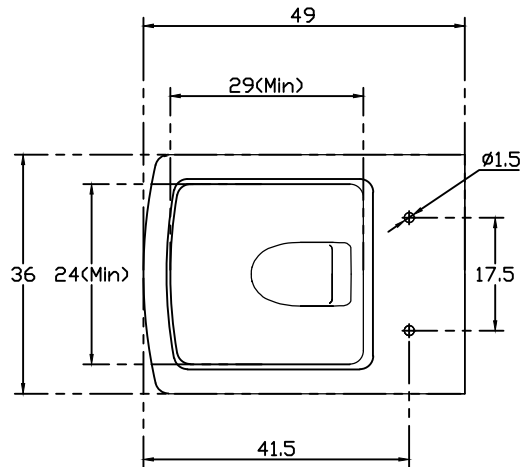
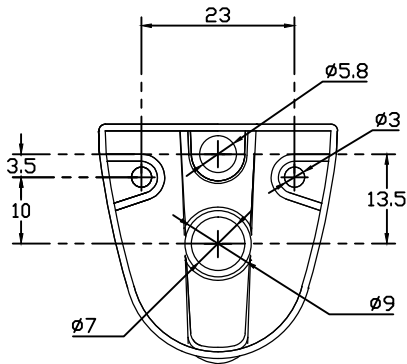


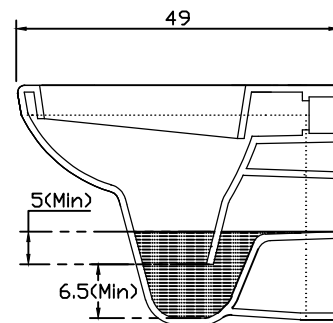
FRONT ELEVATION



PLAN VIEW



BACK VIEW



SECTIONAL VIEW

		HSIL LIMITED, BAHADURGARH
CATALOGUE No.: 92502 ITEM DESCRIPTION: EWC W/M ENIGMA SLIM (49 x 36 x 37 cm)		
DRAWN:		UNIT: CM
CHECKED:		SCALE: 1:10
APPROVED:		DRG. No.: VC/154/V2 REV. No.: 0
DATE: 23.11.12		